

# GOODWINCH Ltd stock their own range of specialist winches, enormous value, great features.

## The ATV / GP Series Main Distributor in UK & Europe



### ATV/GP Series FEATURES

The heavy duty motor delivers superior torque output and fast line speed

3 stage planetary gearbox for the most reliable and durable performance in the worst operating conditions

Automatic, cam operated brake

Rotating ring gear clutch enables freespooling for rapid payout of rope

Easy to install, operate and maintain

These ATV/General Purpose winches suit a variety of uses: Quad Bikes, trailers, general purpose use, boating and for portable towball winch use.

ATV / GP 3000 **£179**  
ATV / GP 4000 **£199**

\* These winches are also available with 24 volt motors for an additional £20

### ATV/GP Series Specification

	ATV/GP3000	ATV/GP4000
Line Pull	3000 lb / 1.363 kg	4000 lb 1.814 kg
Motor	12v / 1.0 hp *	12v / 1.6hp *
Gear Train	Three Stage	Three Stage
Gear Ratio	166:1	187:1
Freespool	Rotating Ring Gear	Rotating Ring Gear
Wire Rope Size	4.8mm x 15.2m (3/16" x 50')	5.5mm x 15.2m 7/32" x 50'
Drum Size	55mm x 87.5mm 2.2" x 3.4"	55mm x 1312.5mm 2.2" x 5.2"

Full dimensional information available on the web site

**Supplied with a Standard Accessory pack containing**

Remote Control, Roller Fairlead  
Snatch Block, Handsaver Strap

Upgrade to **DYNEEMA® BOWROPE** at time of purchase.

ATV 3000 5mm x 50' **£49**  
ATV 4000 6mm x 50' **£54**



## GOODWINCH LIMITED

East Foldhay, Zeal Monachorum, Crediton,  
Devon, EX17 6DH, England

Tel: 01363 82666 Fax: 01363 82782  
E: sales@goodwinch.com W: www.goodwinch.com

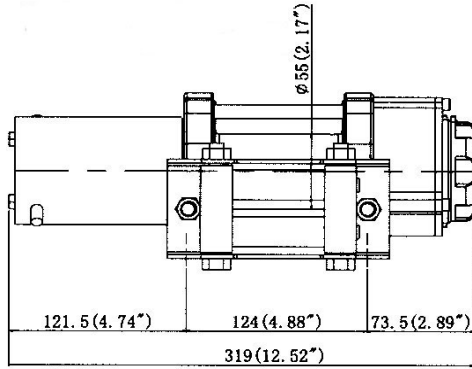
AS MOST OF OUR BUSINESS IS UK & EUROPEAN 4x4 DEALERS AND OVERSEAS SALES, ALL PRICES ARE PLUS CARRIAGE AND VAT

\*\*\*\*\*  
Simply brilliant, our versatile lightweight, easy to splice and handle  
**DYNEEMA® BOWROPE**  
An immensely strong 12 strand synthetic winch rope made from Dyneema® SK75 High Modulus Polyethylene Fibre, manufactured to a very high exact specification set by David Bowyer of GOODWINCH LIMITED  
\*\*\*\*\*

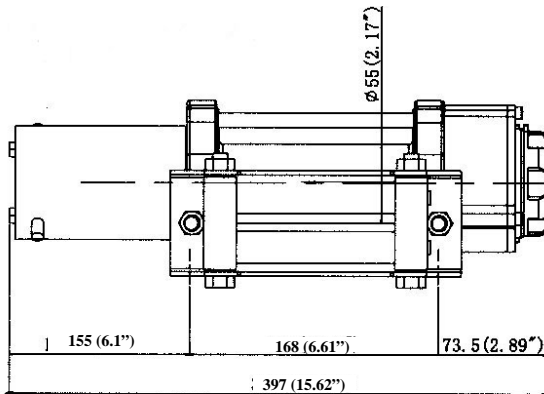
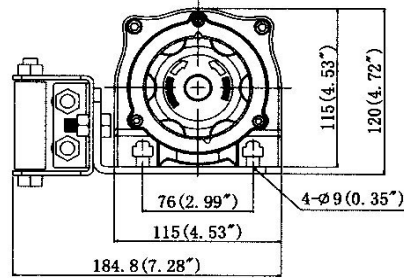
Importers, Exporters, Wholesale Distributors and Retailers of Winches & Accessories

Dyneema® is a registered trademark of Royal DSM N.V.

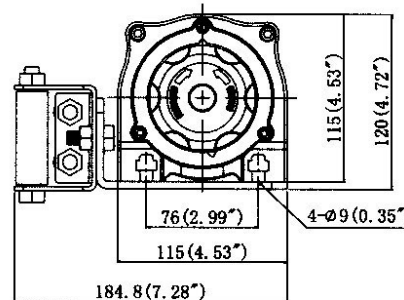
# Dimensional Information and Additional Specifications



**ATV / GP 3000**



**ATV / GP 4000**



## LINE PULL

ATV / GP 3000			ATV / GP 4000	
Max Line Pull		Rope Layer	Max Line Pull	
lbs	kg		lbs	kg
3000	1363	1	4000	1814
2590	1170	2	3735	1694
2270	1030	3	3188	1446
2030	920	4	2780	1261
1830	830	5		

## LINE SPEED & AMP DRAW

ATV / GP 3000					ATV / GP 4000			
Line Speed		Amps	LOAD		Amps	Line Speed		
ft / min	m / min	12V	lbs	kg	12V	ft / min	m / min	
24	7.3	32	No Load		22	19	5.8	
19	6	50	500	230	45	12.8	3.9	
15	4.6	85	1000	450	73	11.2	3.4	
13.5	4.2	100	1500	680	95	10.2	3.1	
11.4	3.5	120	2000	900	110	9.5	2.9	
10.2	3.1	145	2500	1140	140	9	2.7	
8.2	2.5	185	3000	1363	170	7.9	2.4	
-	-	-	3500	1588	200	7.2	2.2	
-	-	-	4000	1814	230	6.6	2.0	